



Photo View



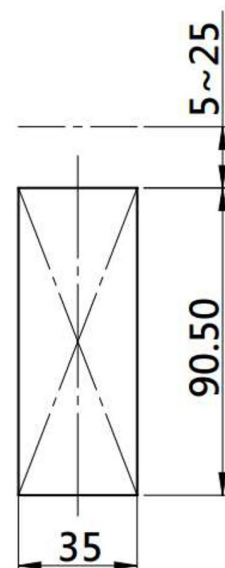
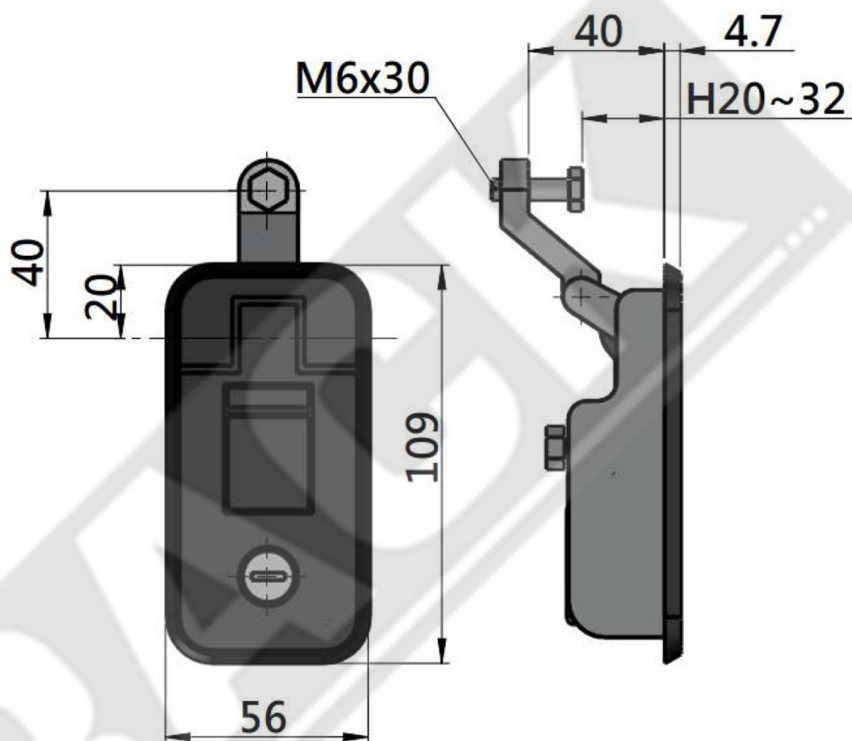
3D Rendered View



MS 6018Z-1-1

- Material: zinc alloy for the housing, handle, button and top lever, A3 for the mounting plate.
- Finish: bright chrome or sand grain black.
- Function: quick unlocking, easy installing, with auto scaling, adjust the screw to enable the hinge to the whole range of seam allowance.
- Panel thickness: 1-6mm.

For Product Step File or 3D Model Send a Request Mail To info@nrack.com



CUT OUT